



These plans, including the design concepts and ideas, are the sole property of NC-Bham. They may not, be utilised and/or reproduced and/or transmitted to a third party without NC-Bham's consent .

THV MdP
be baumschlager eberle Styfnals & Partners
Jaspers-Eyers Architects
 John Eyers
 Christian Tabernigg
 Hoogstraat 139 1000 Bruxelles
 Tel: +32 2 514 04 96
 Fax: +32 2 514 04 93

JASPERS-EYERS ARCHITECTS
be
 baumschlager eberle
 STYFNALS & PARTNERS

NC & BHAM

BNP Paribas Fortis SA

Montagne du Parc 3 / Warandeberg 3
 - 1000 Bruxelles

Montagne du Parc Project

Montagne du Parc 3 / Warandeberg 3 -
 1000 Bruxelles

VISUELS - SWEET CORNER

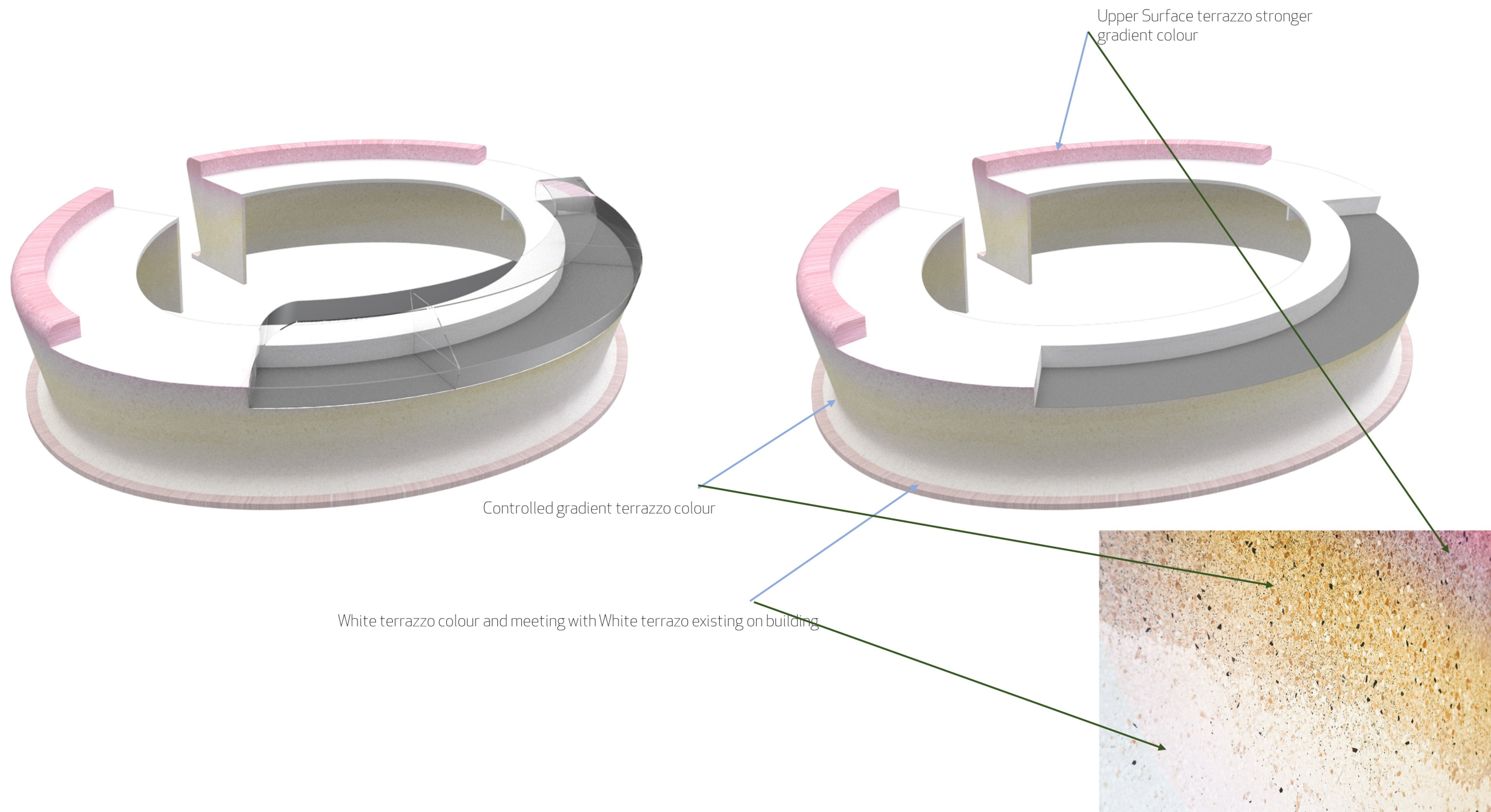
auteur: PDT échelle: date: 06-07-2018

TR12063_PDT_CAT_CA_NA_W01-00_N03_DES_002004_A

01

A2098

Sweet Corner Level +3



These plans, including the design concepts and ideas, are the sole property of NC-Bham. They may not, be utilised and/or reproduced and/or transmitted to a third party without NC-Bham's consent .

THV MdP
be baumschlager eberle Styfnals & Partners
Jaspers-Eyers Architects
 John Eyers
 Christian Tabernigg
 Hoogstraat 139 1000 Bruxelles
 Tel: +32 2 514 04 96
 Fax: +32 2 514 04 93

JASPERS-EYERS ARCHITECTS
be
 baumschlager eberle
 STYFNALS & PARTNERS

NC & BHAM

BNP Paribas Fortis SA

Montagne du Parc 3 / Warandeberg 3
 - 1000 Bruxelles

Montagne du Parc Project

Montagne du Parc 3 / Warandeberg 3 -
 1000 Bruxelles

VISUELS - SWEET CORNER

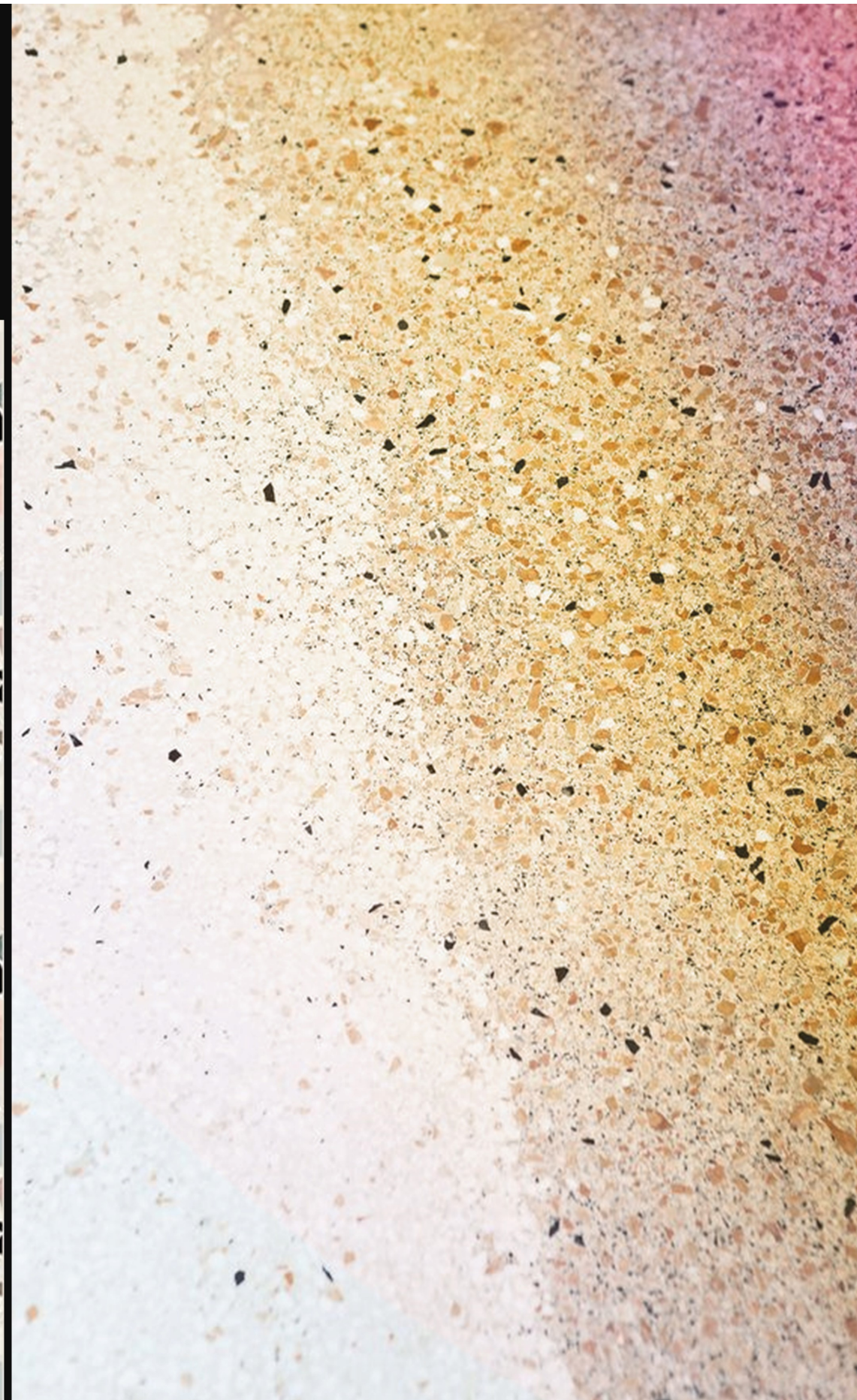
auteur: PDT échelle: date: 06-07-2018

TR12063_PDT_CAT_CA_NA_W01-00_N03_DES_002004_A

02

A2098

Sweet corner - moodboard



These plans, including the design concepts and ideas, are the sole property of NC-Bham. They may not, be utilised and/or reproduced and/or transmitted to a third party without NC-Bham's consent .

THV MdP
 be baumschlager eberle Styfnals & Partners
 Jaspers-Eyers Architects
 John Eyers
 Christian Tabernigg
 Hoogstraat 139 1000 Bruxelles
 Tel: +32 2 514 04 96
 Fax: +32 2 514 04 93

JASPERS-EYERS | ARCHITECTS


NC & BHAM

BNP Paribas Fortis SA

Montagne du Parc 3 / Warandeberg 3
 - 1000 Bruxelles

Montagne du Parc Project

Montagne du Parc 3 / Warandeberg 3 -
 1000 Bruxelles

VISUELS - SWEET CORNER

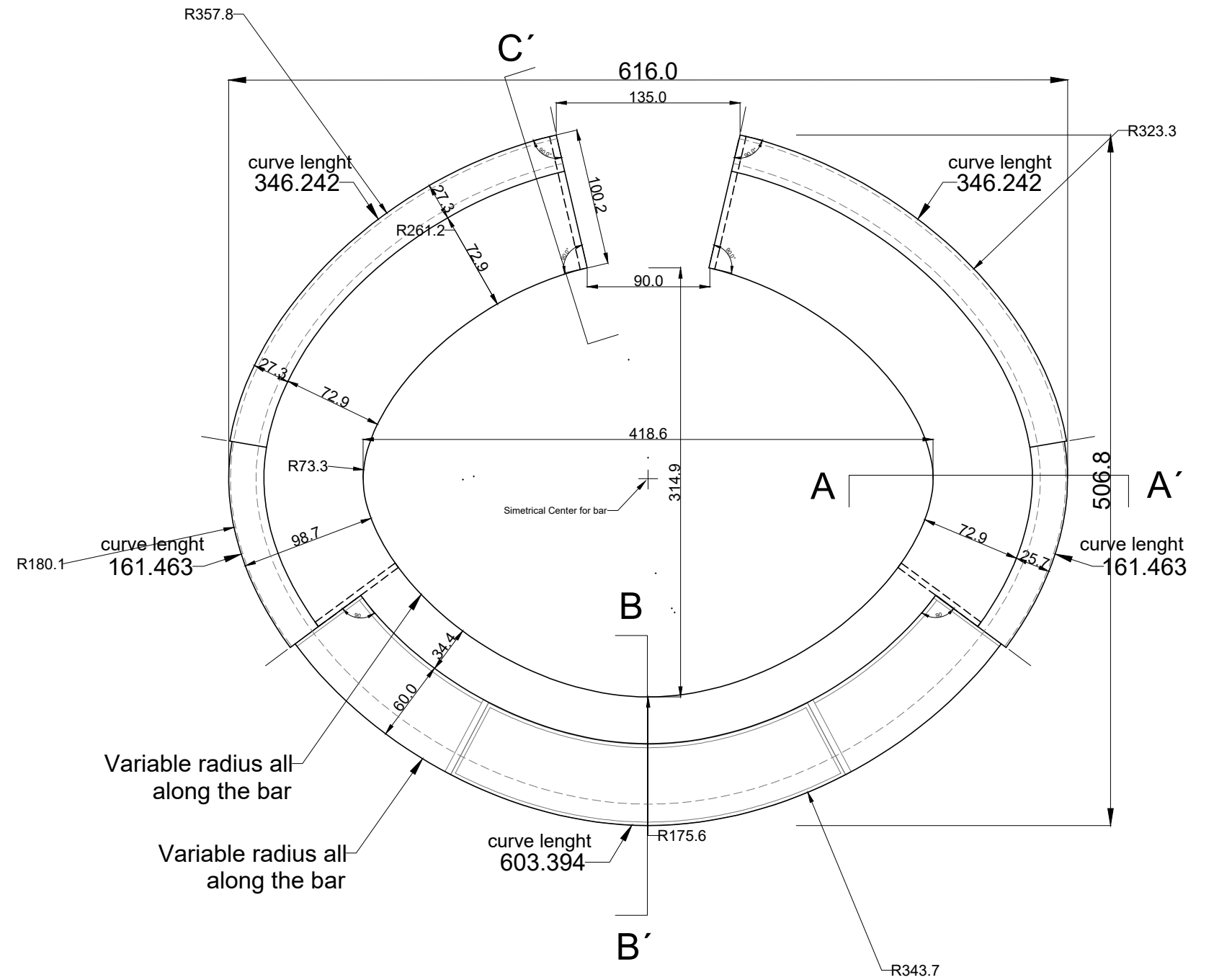
auteur: PDT échelle: date: 06-07-2018

TR12063_PDT_CAT_CA_NA_W01-00_N03_DES_002004_A

03

A2098

PLAN COMPTOIR_1/40



These plans, including the design concepts and ideas, are the sole property of NC-Bham. They may not, be utilised and/or reproduced and/or transmitted to a third party without NC-Bham's consent .

THV MdP
 be baumschlager eberle Styfals & Partners
 Jaspers-Eyers Architects
 John Eyers
 Christian Tabernigg
 Hoogstraat 139 1000 Bruxelles
 Tel: +32 2 514 04 96
 Fax: +32 2 514 04 93

JASPERS-EYERS ARCHITECTS
 be
 baumschlager eberle
 STYFHALS & PARTNERS

NC & BHAM

BNP Paribas Fortis SA

Montagne du Parc 3 / Warandeberg 3
 - 1000 Bruxelles

Montagne du Parc Project

Montagne du Parc 3 / Warandeberg 3 -
 1000 Bruxelles

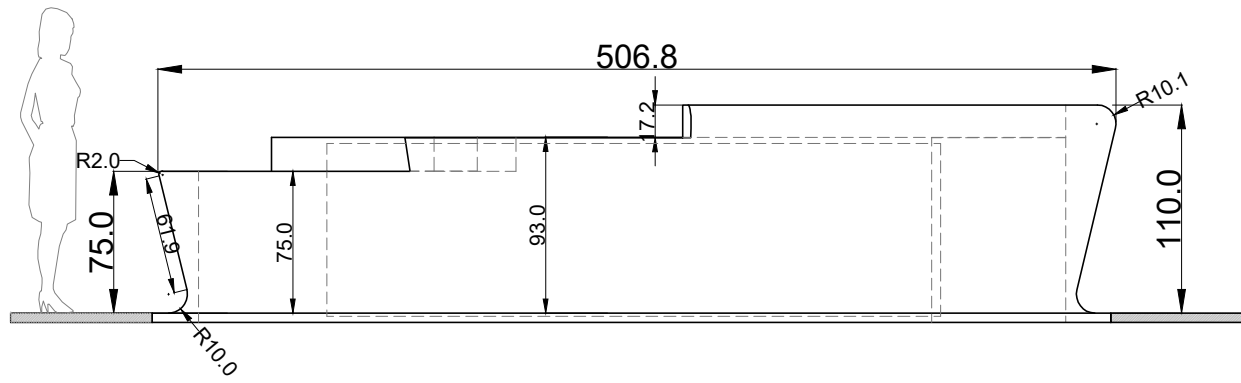
PLAN COMPTOIR- SWEET CORNER

auteur: PDT échelle: 1/40 date: 06-07-2018

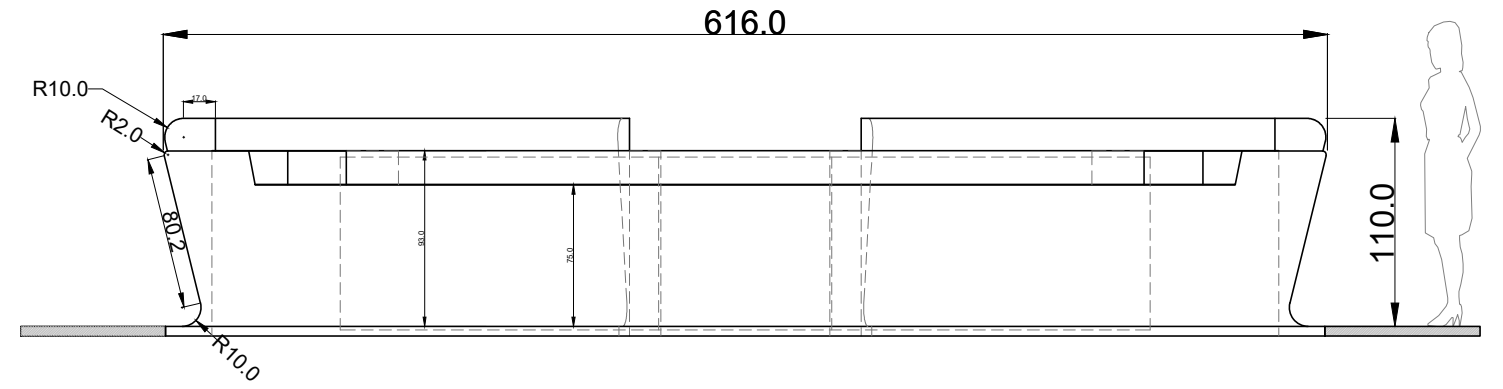
TR12063_PDT_CAT_CA_NA_W01-00_N03_DES_002004_A

04

A2098

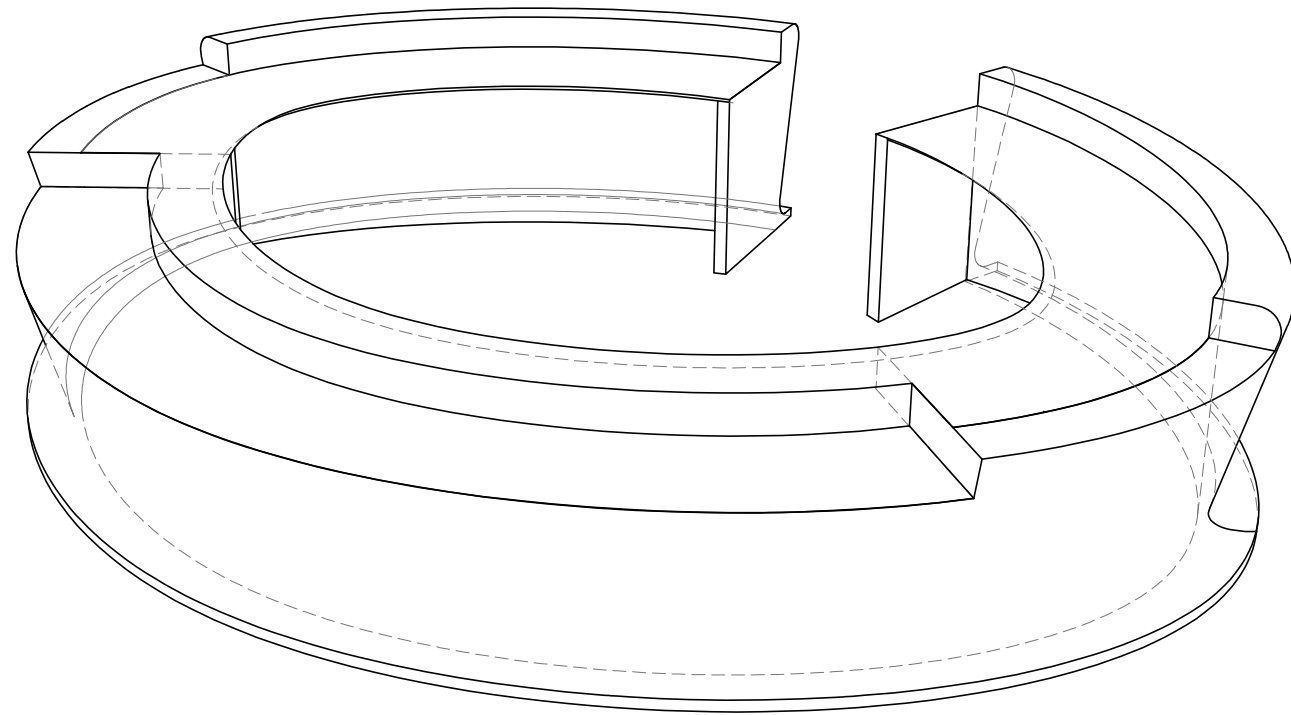


ÉLÉVATION COMPTOIR_1/50



ÉLÉVATION COMPTOIR_1/50

AXO COMPTOIR



These plans, including the design concepts and ideas, are the sole property of NC-Bham. They may not, be utilised and/or reproduced and/or transmitted to a third party without NC-Bham's consent .

THV MdP
 be baumschlager eberle Styfhals & Partners
 Jaspers-Eyers Architects
 John Eyers
 Christian Tabernigg
 Hoogstraat 139 1000 Bruxelles
 Tel: +32 2 514 04 96
 Fax: +32 2 514 04 93

JASPERS-EYERS ARCHITECTS
 be
 baumschlager eberle
 STYFHALS & PARTNERS

NC & BHAM

BNP Paribas Fortis SA
 Montagne du Parc 3 / Warandeberg 3
 - 1000 Bruxelles

Montagne du Parc Project
 Montagne du Parc 3 / Warandeberg 3 -
 1000 Bruxelles

ÉLÉVATIONS COMPTOIR - SWEET CORNER

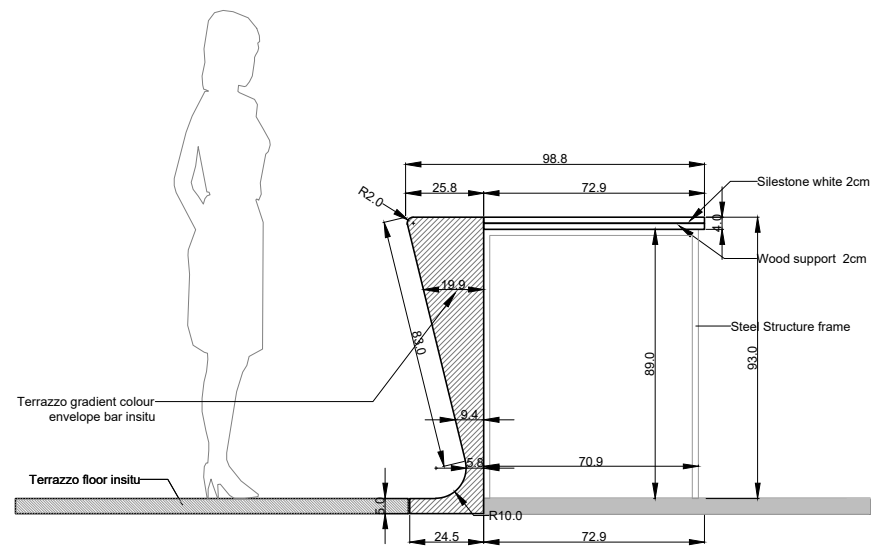
auteur: PDT échelle: 1/40 date: 06-07-2018

TR12063_PDT_CAT_CA_NA_W01-00_N03_DES_002004_A

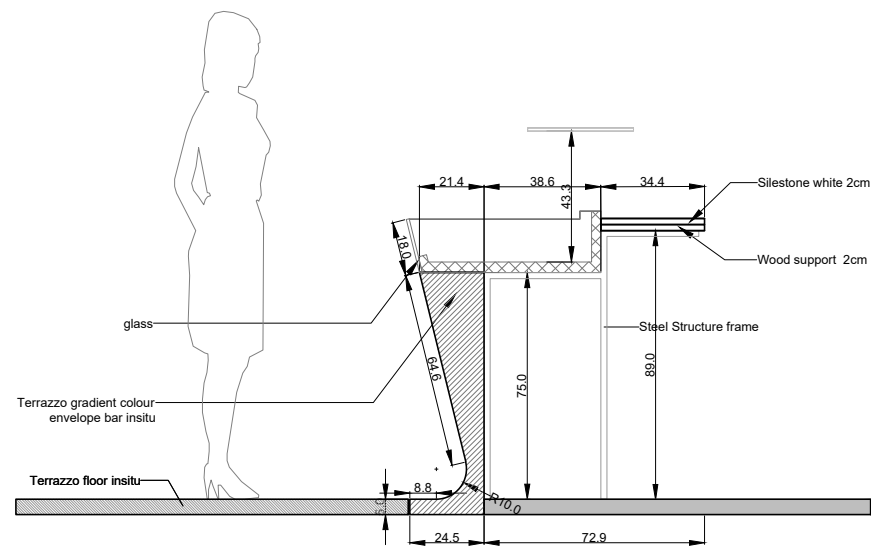
05

A2098

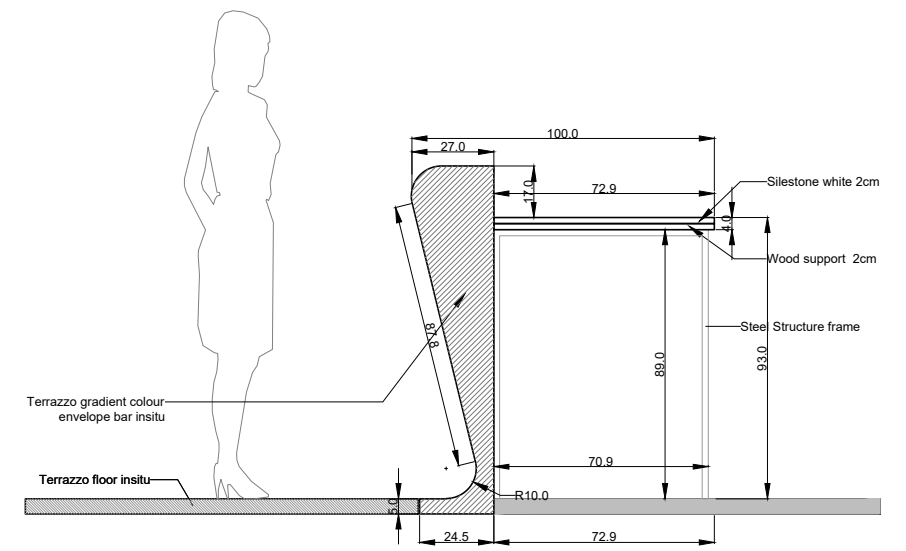
DETAILS COMPTOIR_1/25



CUT A-A'



CUT B-B'



CUT C-C'

These plans, including the design concepts and ideas, are the sole property of NC-Bham. They may not, be utilised and/or reproduced and/or transmitted to a third party without NC-Bham's consent .

THV MdP
be baumschlager eberle Styfhals & Partners
 Jaspers-Eyers Architects
 John Eyers
 Christian Tabernigg
 Hoogstraat 139 1000 Bruxelles
 Tel: +32 2 514 04 96
 Fax: +32 2 514 04 93

JASPERS-EYERS ARCHITECTS
be
 baumschlager eberle
 STYFHALS & PARTNERS

NC & BHAM

BNP Paribas Fortis SA

Montagne du Parc 3 / Warandeberg 3
 - 1000 Bruxelles

Montagne du Parc Project

Montagne du Parc 3 / Warandeberg 3 -
 1000 Bruxelles

DETAILS COMPTOIR - SWEET CORNER

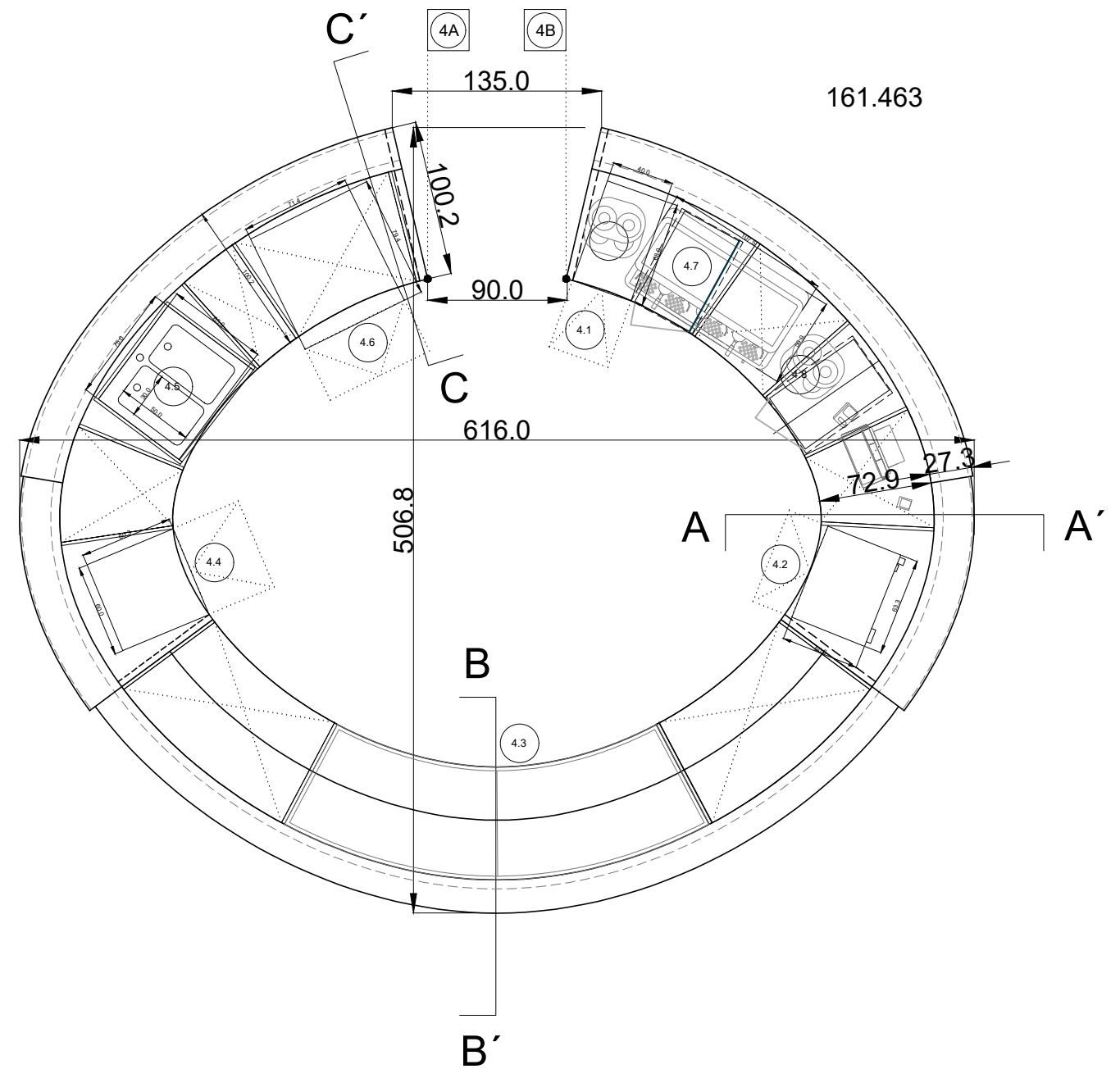
auteur: PDT échelle: 1/25 date: 06-07-2018

TR12063_PDT_CAT_CA_NA_W01-00_N03_DES_002004_A

06

A2098

PLAN ÉQUIPEMENTS COMPTOIR_1/40



These plans, including the design concepts and ideas, are the sole property of NC-Bham. They may not, be utilised and/or reproduced and/or transmitted to a third party without NC-Bham's consent .

THV MdP
be baumschlager eberle Styfhals & Partners
Jaspers-Eyers Architects
 John Eyers
 Christian Tabernigg
 Hoogstraat 139 1000 Bruxelles
 Tel: +32 2 514 04 96
 Fax: +32 2 514 04 93

JASPERS-EYERS ARCHITECTS
be
 baumschlager eberle
 STYFHALS & PARTNERS

NC & BHAM

BNP Paribas Fortis SA

Montagne du Parc 3 / Warandeberg 3
 - 1000 Bruxelles

Montagne du Parc Project

Montagne du Parc 3 / Warandeberg 3 -
 1000 Bruxelles

PLAN ÉQUIPEMENTS - SWEET CORNER

auteur: PDT échelle: 1/40 date: 06-07-2018

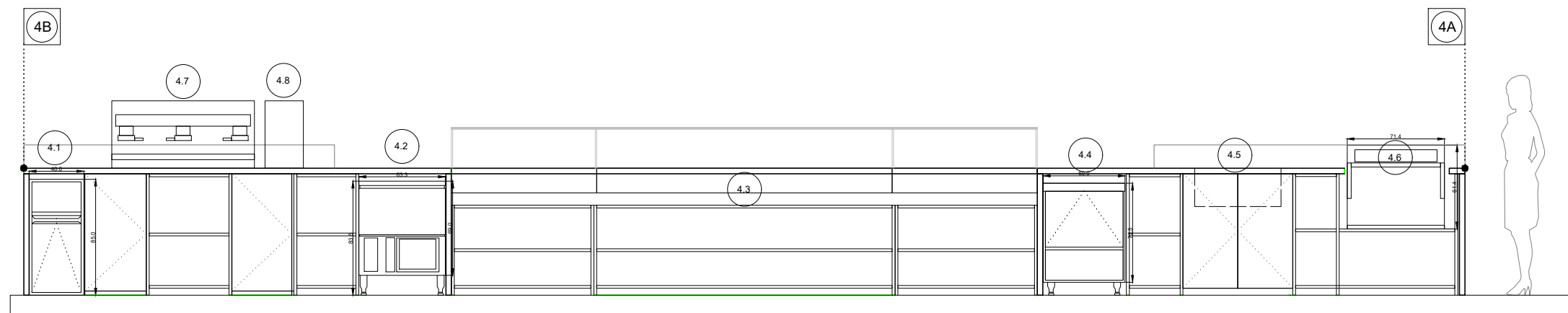
TR12063_PDT_CAT_CA_NA_W01-00_N03_DES_002004_A

07

A2098

ÉLÉVATION DEVELOPPÉE AVEC ÉQUIPEMENTS

ÉLÉVATION ÉQUIPEMENTS COMPTOIR PRINCIPAL_1/40



These plans, including the design concepts and ideas, are the sole property of NC-Bham. They may not, be utilised and/or reproduced and/or transmitted to a third party without NC-Bham's consent .

THV MdP
be baumschlager eberle Styfhals & Partners
Jaspers-Eyers Architects
 John Eyers
 Christian Tabernigg
 Hoogstraat 139 1000 Bruxelles
 Tel: +32 2 514 04 96
 Fax: +32 2 514 04 93

JASPERS-EYERS | ARCHITECTS

 baumschlager eberle
 STYFHALS & PARTNERS

NC & BHAM

BNP Paribas Fortis SA

Montagne du Parc 3 / Warandeberg 3
 - 1000 Bruxelles

Montagne du Parc Project

Montagne du Parc 3 / Warandeberg 3 -
 1000 Bruxelles

ÉLÉVATION DEVELOPPÉE AVEC ÉQUIPEMENTS
 - SWEET CORNER

auteur: PDT échelle: 1/40 date: 06-07-2018

TR12063_PDT_CAT_CA_NA_W01-00_N03_DES_002004_A

08

A2098